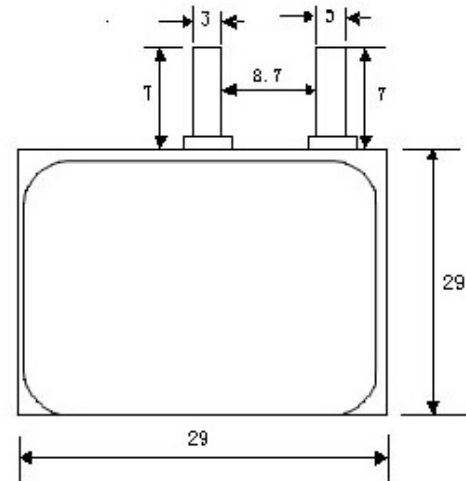


DATE SHEET-CP042929

Electrical characteristics

3.0V 20mAh

Type	CP042929
System	lithium/ manganese dioxide
Nominal capacity (mAh)	20@1mA to 2V @23°C
Rated voltage (V)	3.0
Impedence at 1kHz (Ω)	30
Max. continuous current (mA)	6
Max. pulse current (mA)	25/10ms
Storage temperature	-20 ~+40 °C
Operation temperature range	-10°C ~+60°C
Weight (g)	0.5
Specific energy	90Wh/Kg
Energy density	160Wh/l
Anode tape/cathode tape	Aluminum/Nickel
Self Discharge Rate	Under 2% for years@30°C
Jacket	Flexible Aluminum Foil Packaging
Max. dimensions (mm)	0.4×29×29



Key Features

- High Energy Density
- High single cell voltage
- Light weight
- Small Size
- High security
- Stable operating voltage
- Wide Operating temperature range
- Low Self-discharge rate
- Flexible on shape design
- Restricted for UL、UN38.3 and ROHS
- UL file: MH45782

Any special or specific for shape, thickness or discharge rate, please consult GMB.

Guangzhou Markyn Battery Co., Ltd.

YiJia Industrial Park , Shixin Road 1100 ,Nancun Town,Panyu District, Guangzhou P.R.C

Tel:(86)20 — 8456 0852

Fax:(86)20 — 3476 7936

Email:sales@gmbattery.com

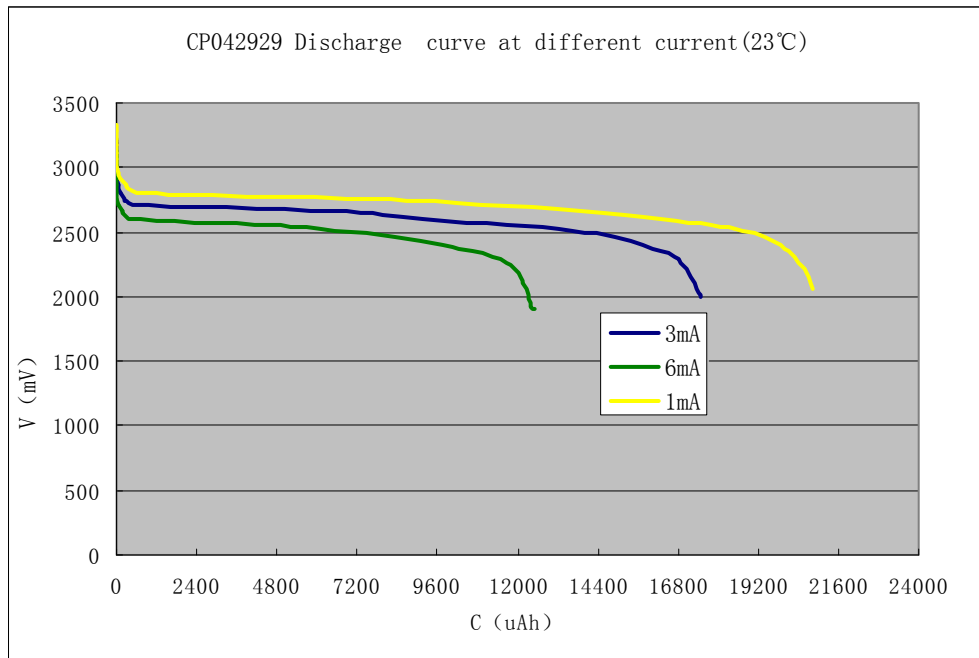


Discharge Curve

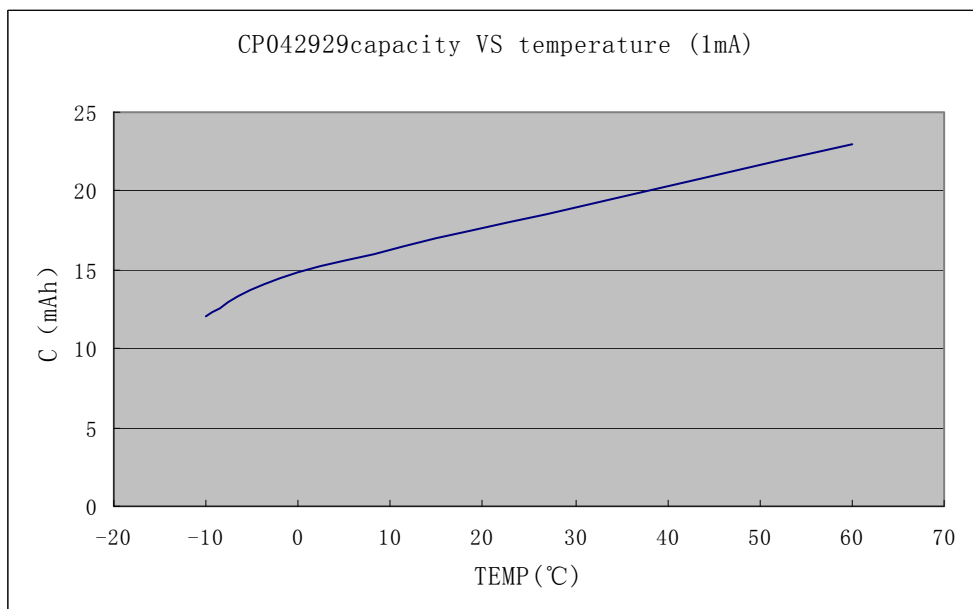
Constant Current

DATE SHEET- CP042929

3.0V20mAh



Capacity VS Temperature



Guangzhou Markyn Battery Co., Ltd.

YiJia Industrial Park , Shixin Road 1100 ,Nancun

Town,Panyu District, Guangzhou P.R.C

Tel:(86)20 — 8456 0852 FAX:(86)20 — 3476 7936

Email: sales@gmbattery.com

