

**DATE SHEET-CP105050**

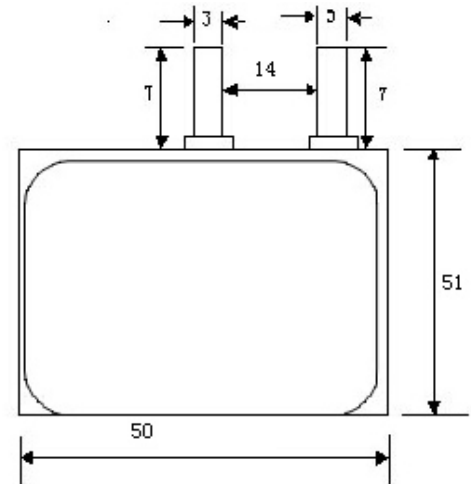
3.0V 200mAh

**Electrical characteristics**

Type	CP105050
System	lithium/ manganese dioxide
Nominal capacity (mAh)	200@1mA to 2V @23°C
Rated voltage (V)	3.0
Impedence at 1kHz (Ω)	5
Max. continuous current (mA)	50
Max. pulse current (mA)	80/10ms
Storage temperature	-20 ~+40 °C
Operation temperature range	-20°C ~+60°C
Weight (g)	3.5
Specific energy	170Wh/Kg
Energy density	240Wh/L
Anode tape/cathode tape	Aluminum/Nickel
Self Discharge Rate	Under 2% for years@30°C
Jacket	Flexible Aluminum Foil Packaging

Max. dimensions (mm) **1.0×50×51**

Any special or specific for shape, thickness or discharge rate, please consult GMB.



**Key Features**

- High Energy Density
- High single cell voltage
- Light weight
- Small Size
- High security
- Stable operating voltage
- Wide Operating temperature range
- Low Self-discharge rate
- Flexible on shape design
- Restricted for UL、UN38.3 and ROHS
- UL file: MH45782

**Guangzhou Markyn Battery Co., Ltd.**

YiJia Industrial Park , Shixin Road 1100 ,Nancun Town,Panyu

District, Guangzhou P.R.C

Tel:(86)20 — 8456 0852

Fax:(86)20 — 3476 7936

Email:sales@gmbattery.com

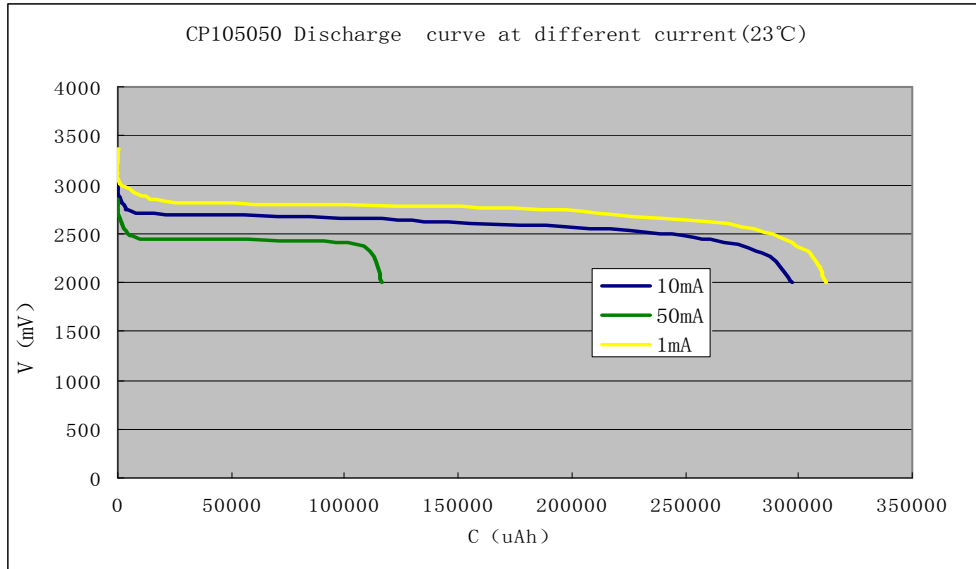


## Discharge Curve

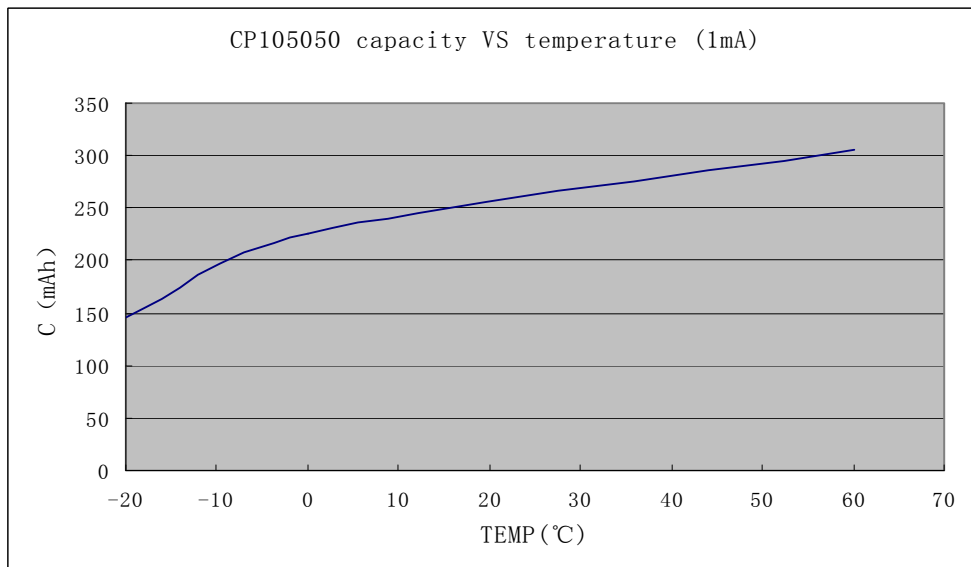
DATE SHEET- CP105050

Constant Current

3.0V 200mAh



## Capacity VS Temperature



Guangzhou Markyn Battery Co., Ltd.

Yijia Industrial Park, Shixin Road 1100, Nancun  
Town, Panyu District, Guangzhou P.R.C

Tel: (86)20 — 8456 0852 FAX: (86)20 — 3476

7936 Email: [sales@gmbattery.com](mailto:sales@gmbattery.com)

