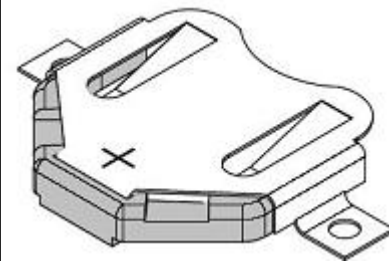
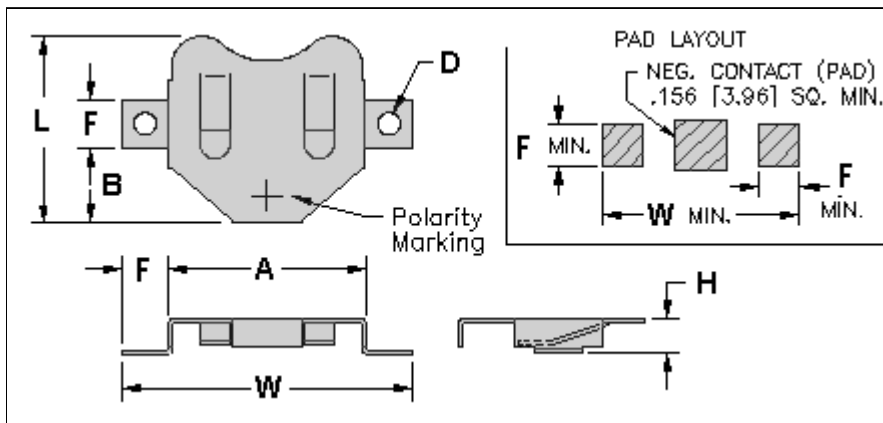




Surface Mount PCB Lithium Coin Cell Battery Retainers

For 20mm Lithium Batteries - 3 Volt or 6 Volt Applications

Supplied with Nylon Insulator for stacking 2 Cells



Cat No. (assembled)	Cat No. (unassembled)	A	B	D	F	H	L	W	Cell Size	Tape & Reel Spec's*	Cat. No. (On tape)
3020	3020-2	.885 [22.5]	.433 [11.0]	.093 [2.3]	.200 [5.1]	.156 [4.0]	.890 [22.6]	1.339 [34.0]	20mm†	56mm Wide; 32mm Pitch; 13" Reel (500 per Reel)	3020TR
3022	3022-2	.939 [23.9]	.433 [11.0]	.093 [2.3]	.200 [5.1]	.240 [6.1]	.877 [22.3]	1.339 [34.0]	20mm†	56mm Wide; 32mm Pitch; 13" Reel (250 per Reel)	3022TR
3024	3024-2	.939 [23.9]	.433 [11.0]	.093 [2.3]	.200 [5.1]	.253 [6.4]	.877 [22.3]	1.339 [34.0]	20mm†	56mm Wide; 32mm Pitch; 13" Reel (250 per Reel)	3024TR
Material: .010 [2.54] Phosphor Bronze								Finish: Tin Nickel Plate			
Cat No. (assembled)	Cat No. (unassembled)	A	B	D	F	H	L	W	Cell Size	Tape & Reel	Cat. No. (On tape)

										Spec's*	
3070	3070-2	.885 [22.5]	.433 [11.0]	.093 [2.3]	.200 [5.1]	.156 [4.0]	.890 [22.6]	1.339 [34.0]	20mm†	56mm Wide; 32mm Pitch; 13" Reel (500 per Reel)	3070TR
3072	3072-2	.939 [23.9]	.433 [11.0]	.093 [2.3]	.200 [5.1]	.240 [6.1]	.877 [22.3]	1.339 [34.0]	20mm†	56mm Wide; 32mm Pitch; 13" Reel (250 per Reel)	3072TR
3074	3074-2	.939 [23.9]	.433 [11.0]	.093 [2.3]	.200 [5.1]	.253 [6.4]	.877 [22.3]	1.339 [34.0]	20mm†	56mm Wide; 32mm Pitch; 13" Reel (250 per Reel)	3074TR
Material: .010 [2.54] Phosphor Bronze								Finish: Matte Tin Plate			
* All conductive polystyrene carrier tape meets ANSI/EIA - 481 standard. † 3020, 3022 & 3074 supplied with insulator to accommodate 2, 20mm dia batteries											

Battery Reference		
Cat. No.	Duracell, Eveready, Panasonic, Sony, Toshiba, Varta, Ray-O-Vac, Sanyo, Seiko	Cell Size
3020, 3070	(2)BR2016, (2)CR2016, (2)DL2016,(1) DR2032, (1)CR2032,(1) DL2032	20mm
3022, 3072	(2) BR2020, (2)CL2020, (2)BR2025, (2)CR2025,(2) DL2025,(1) DR2032, (1)CR2032,(1) DL2032	20mm
3024, 3074	(2) DR2032, (2)CR2032,(2) DL2032	20mm

[Click to Request Samples](#)



© 2011 Keystone Electronics Corp. | 31-07 20th Road | Astoria, NY 11105 | 718-956-8900 | 800-221-5510 | 718-956-9040
fax | www.keyelco.com